

# PRODUCT INFORMATION PACKET

Model No: 5KH36LNA504

Catalog No: H696

1/2 HP General Purpose Motor, 1 phase, 1800 RPM, 115 V, 48 Frame, ODP  
Single Phase ODP Motors



Regal and Marathon are trademarks of Regal Beloit Corporation or one of its affiliated companies.  
©2020 Regal Beloit Corporation, All Rights Reserved. MC017097E

**REGAL**



### Nameplate Specifications

Output HP	0.50 Hp	Output KW	0.37 kW
Frequency	60 Hz	Voltage	115 V
Current	8.3 A	Speed	1725 rpm
Service Factor	1	Phase	1
Efficiency	62 %	Power Factor	0
Duty	Continuous	Insulation Class	B
KVA Code	P	Frame	48
Enclosure	Drip Proof	Thermal Protection	N/R
Ambient Temperature	40 °C	Drive End Bearing Size	6203
Opp Drive End Bearing Size	6203	UL	Recognized
CSA	Yes	CE	N

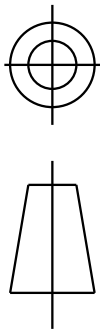
### Technical Specifications

Electrical Type	Split Phase	Starting Method	SM
Poles	4	Rotation	Counterclockwise/Clockwise
Mounting	Rigid Base	Motor Orientation	ANY
Drive End Bearing	BALL	Opp Drive End Bearing	Ball
Frame Material	Rolled Steel	Overall Length	9.68 in
Frame Length	6.22 in	Shaft Diameter	0.500 in
Shaft Extension	1.5 in		
Outline Drawing	52A109377P1	Connection Drawing	52A105377AA

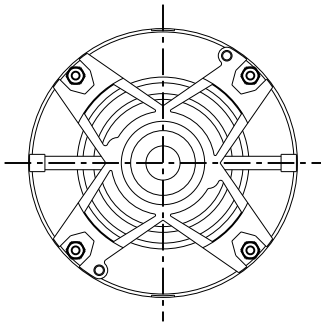
This is an uncontrolled document once printed or downloaded and is subject to change without notice. Date Created:03/11/2020

This document is the property of REGAL-BELOIT CORPORATION ("REGAL") including its subsidiaries and divisions and contains proprietary information of REGAL. This document is loaned on the express condition that neither the recipient nor any other person shall be permitted to disclose, disseminate, or otherwise use the information contained herein without the express written consent of REGAL. REGAL shall not be held liable for any errors or omissions in this document. This document shall be returned to REGAL upon its request. This document may be subject to certain restrictions under U.S. export control laws and regulations.

THIRD ANGLE PROJECTION

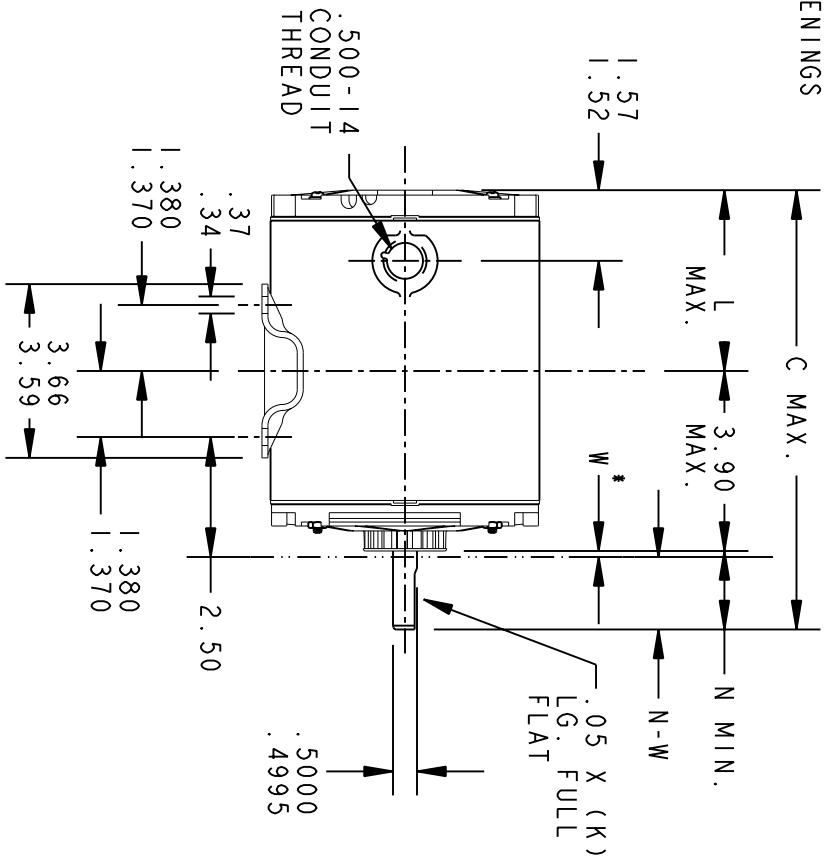
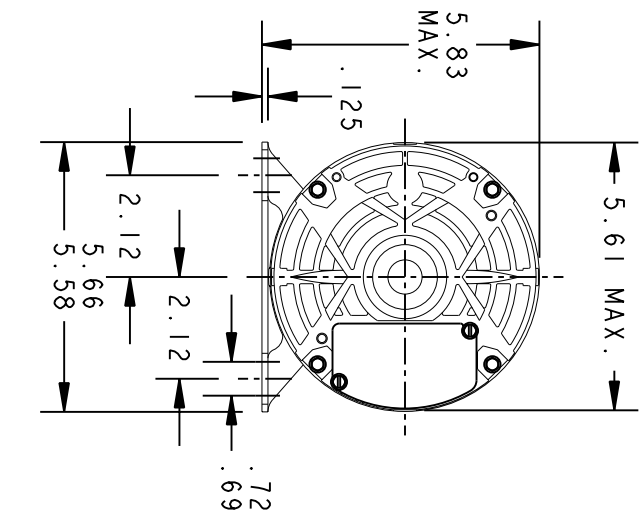


REV.	DESCRIPTION	DATE	APPROVED
1	ADDED "CONTINUED FROM ---"	05/15/95	M. D. PAPE
2	ADDED PARTS #2-#6.	08/09/95	M. D. PAPE
3	UPDATED AS PER IS05-2229	09/21/05	PRAVEEN. K



VIEW SHOWING P.F.E. VENTILATION OPENINGS

W\* IS A CLEARANCE DUE TO VARIATION IN PARTS AND ASSEMBLY.



6	K KH	38	48	10.68	1.16	5.22	1.50	1.63/1.41	7.22
5	K KH	37	48	10.08	1.16	4.62	1.50	1.63/1.41	6.62
4	K KH	35	48	9.25	1.16	3.79	1.50	1.63/1.41	5.79
3	K KH	33	48	8.87	1.16	3.41	1.50	1.63/1.41	5.41
2	K KH	32	48	8.62	1.16	3.16	1.50	1.63/1.41	5.16
1	K KH	36	48	9.68	1.16	4.22	1.50	1.63/1.41	6.22
P	T TYPE	GE SIZE	NEMA FR	C	K	L	N	N-W	SHELL REF.

CONTINUED FROM 52A102336

FOR ADDITIONAL INFO REFER TO:  
 APPLIED PRACTICES  
 DIMENSIONS ARE IN INCHES

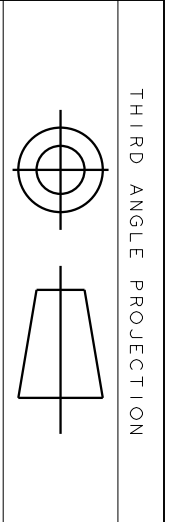
REGAL-BELOIT CORPORATION  
**OUTLINE**

TOLERANCE ON:  
 1 PL DECIMALS ± 0.1  
 2 PL DECIMALS ± 0.02  
 3 PL DECIMALS ± 0.005  
 ANGLES ± 1.0  
 FRACTIONS ±

FORM N - GENERAL PURPOSE MOTOR - DRIP PROOF  
 WELDED BASE - BALL OR SLEEVE BEARING

MATERIAL  
 FINISH  
 SOLID MODEL: 52A109377

SCALE: 1.000 REF. No.:  
 SIZE DRAWING A  
 52A109377  
 REV 3



THIRD ANGLE PROJECTION

REVISIONS

REV.	DESCRIPTION	DATE	APPROVED
1	UPDATED FORMAT	11/10/05	MAM

EITHER ROTATION - SINGLE VOLTAGE  
TYPE KC, OR KH



NOTE #1 - TO REVERSE ROTATION INTERCHANGE BLACK (T5-KH OR J9-KC) AND RED (T8) LEADS.

NOTE #2 - WHEN MORE THAN ONE CAPACITOR IS USED CONNECT IN PARALLEL.

REF. DIAG. - 121A850		SWITCH (C) - 115D958AB	
CONNECTION LABEL - 52X332047			
SIGNATURES			
MODEL	M.D. PAPER	DATE	
DETAIL			
CHECKED			
ENGRG			
MFG			
QUALITY			
ISSUED	M.D.P.	DATE	
FOR ADDITIONAL INFO REFER TO:			
APPLIED PRACTICES			
DIMENSIONS ARE IN INCHES			
MATERIAL	SOLID MODEL: 52A105377AA		



REGAL-BELOLT CORPORATION

TITLE CONNECTION DIAGRAM

FME: 30 FRAME SWITCH REDESIGN

52A105377AA

SCALE: 1.000	REF. No:	SHEET 1 of 1
--------------	----------	--------------